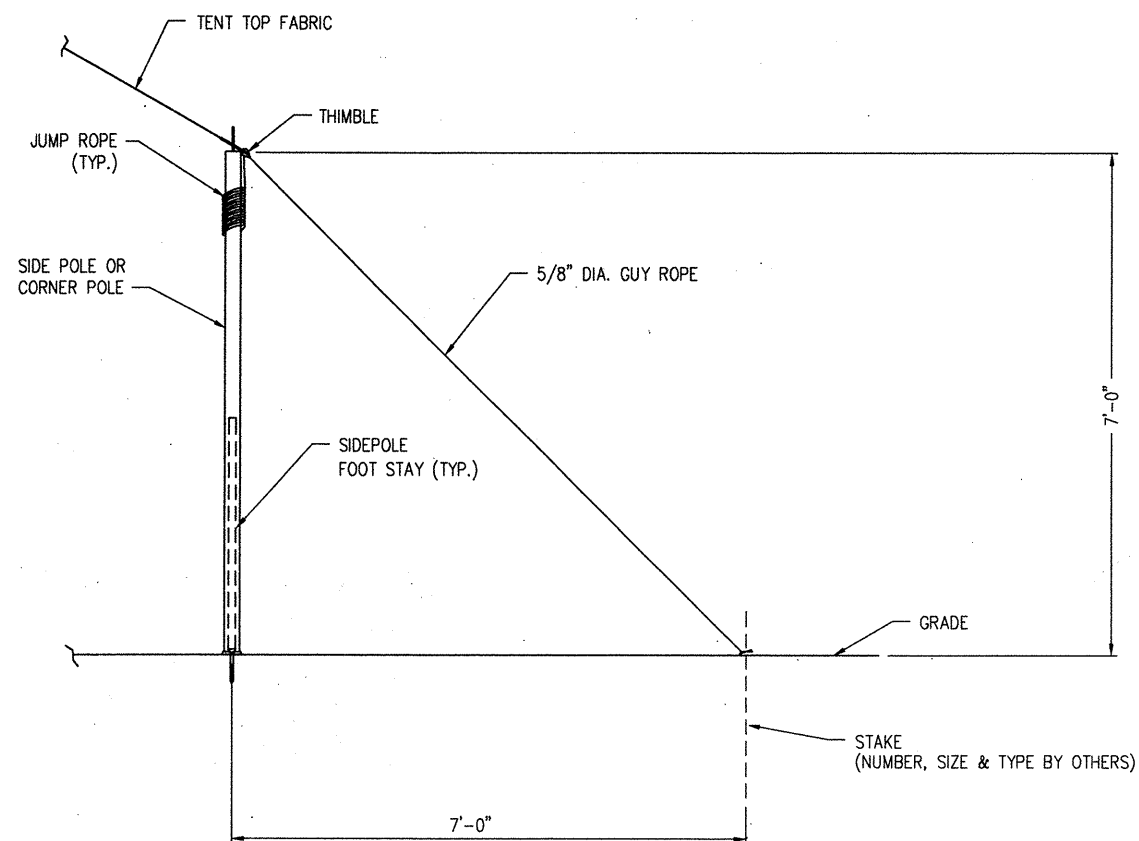
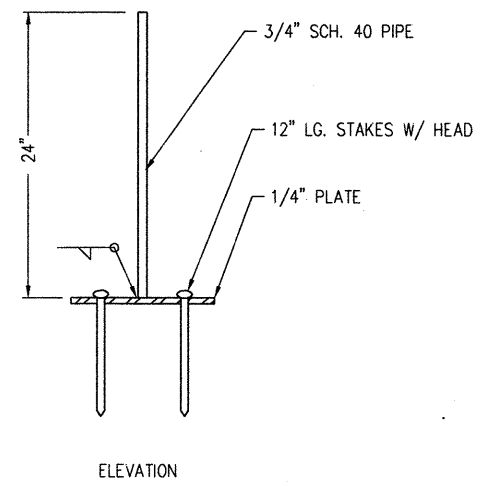
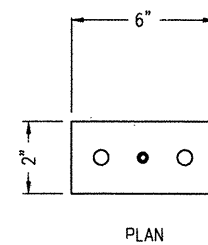


DETAIL AT
 CORNERS, LACE LINES, & CENTER ENDS
 SCALE: 3/4" = 1'-0"



DETAIL AT
 INTERMEDIATE GUYS
 SCALE: 3/4" = 1'-0"

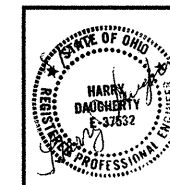


SIDE POLE
 FOOT STAY DETAIL
 SCALE: NONE

CUSTOMER NAME _____
 FACTORY ORDER NUMBER _____
 DATE OF MANUFACTURE _____

WORK THIS DRAWING WITH AM30-1

ARMBRUSTER
 ESTABLISHED
 1875
TENT MAKER
 800-637-4326



DETAILS		
SCALE: NOTED	APPROVED BY: <i>Harry Daugherty</i>	DRAWN BY: DMM
DATE: 6-26-96	REVISED	
30' POLE TENT		
For: ARMBRUSTER MFG.	DRAWING NUMBER AM30-2	

CHK'D. BY: